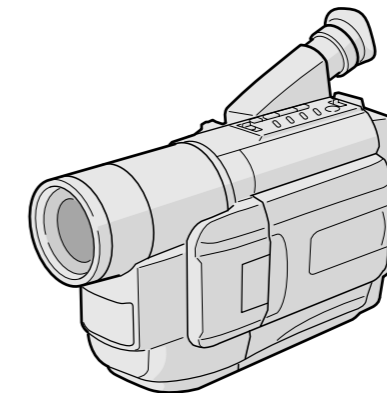


JVC

SERVICE MANUAL

COMPACT VHS CAMCORDER

GR-SXM55EK



VHS VHS
PAL
625
Super VHS
Super VHS ET

Regarding service information other than these sections, refer to the GR-SXM607EK service manual (No. 86589). Also, be sure to note important safety precautions provided in the service manual.

SPECIFICATIONS *(The specifications shown pertain specifically to the model GR-SXM607EK/55EK)*

Camcorder	
General	
Format	: S-VHS/VHS PAL standard
Power source	: DC 11 V $\overline{\text{---}}$ (Using AC Adapter) DC 6 V $\overline{\text{---}}$ (Using battery pack)
Power consumption	
Viewfinder on	: 4.0 W
LCD monitor on	: 4.5 W
Video light*	: 3.0 W
*GR-SXM607 only.	
Signal system	: PAL-type
Video recording system	
Luminance	: FM recording
Colour	: Converted sub-carrier direct recording Conforms to VHS standard
Cassette	: VHS / VHS cassette
Tape speed	
SP	: 23.39 mm/sec.
LP	: 11.70 mm/sec.
Recording time (max.)	
SP	: 60 minutes
LP	: 120 minutes (with EC-60 cassette)
Operating temperature	: 0°C to 40°C
Operating humidity	: 35% to 80%
Storage temperature	: -20°C to 50°C
Weight	: Approx. 910 g (GR-SXM607 only) Approx. 900 g (GR-SXM55 only)
Dimensions (W x H x D)	: 200 mm x 112 mm x 118 mm (with the LCD monitor closed and with the viewfinder full tilted downward)
Pickup	: 1/4" format CCD
Lens	: F1.6, f = 3.9 mm to 62.4 mm, 16:1 power zoom lens with auto iris and macro control, filter diameter 40.5 mm
Viewfinder	: Electronic viewfinder with 0.5" black/white CRT
White balance adjustment	: Auto/Manual adjustment
LCD monitor	: 3" diagonally measured, LCD panel/TFT active matrix system (GR-SXM607 only) 2.5" diagonally measured, LCD panel/TFT active matrix system (GR-SXM55 only)
Speaker	: Monaural
Connectors	
JLIP/EDIT	: ϕ 3.5 mm, 4-pole, mini-head jack (compatible with RC-5325 plug)
Video	: 1 V (p-p), 75 Ω unbalanced, analogue output (via Video output connector)
Audio	: 300 mV (rms), 1 k Ω analogue output (via Audio output connector)
S-Video	: Y : 1 V (p-p), 75 Ω , analogue output C : 0.29 V (p-p), 75 Ω , analogue output
AC Adapter AP-V10EG	
Power requirement	: AC 110 V to 240 V \sim , 50 Hz/60 Hz
Output	: DC 11 V $\overline{\text{---}}$, 1 A
Dimensions (W x H x D)	: 59 mm x 31 mm x 84 mm
Weight	: Approx. 140 g (not including Power Cord)
Optional Accessories	
• Battery Packs BN-V12U, BN-V20U, BN-V400U	
• Compact S-VHS (VHS) Cassettes SE-C45/30	
• Compact VHS (VHS) Cassettes EC-60/45/30	
• Remote Control Unit RM-V700U	
• Active Carrying Bag CB-V7U	
• Cassette Adapter C-P7U	
Some accessories are not available in some areas. Please consult your nearest JVC dealer for details on accessories and their availability.	

Specifications shown are for SP mode unless otherwise indicated. E & O.E. Design and specifications subject to change without notice.

JVC

VICTOR COMPANY OF JAPAN, LIMITED
VIDEO DIVISION

S40894

Printed in Japan

This service manual is printed on 100% recycled paper.
COPYRIGHT © 2001 VICTOR COMPANY OF JAPAN, LTD.

No. 86649
June 2001

TABLE OF CONTENTS

DIFFERENT TABLE	1 to 2
4. CHARTS AND DIAGRAMS	
4.1 BOARD INTERCONNECTIONS	4-1
4.2 CPU SCHEMATIC DIAGRAM	4-3
4.3 VTR ASP SCHEMATIC DIAGRAM	4-5
4.4 DSP SCHEMATIC DIAGRAM	4-7
4.5 IRIS & AF/ZOOM AND VIDEO OUT SCHEMATIC DIAGRAMS	4-9
4.6 REGULATOR SCHEMATIC DIAGRAM	4-11
4.7 LCD CTL SCHEMATIC DIAGRAM	4-13
4.8 SPEAKER AND MONITOR SCHEMATIC DIAGRAMS	4-15
4.9 MAIN CIRCUIT BOARD	4-17
4.10 MONITOR CIRCUIT BOARD	4-23
5. PARTS LIST	
5.1 PACKING AND ACCESSORY ASSEMBLY <M1>	5-1
5.2 FINAL ASSEMBLY <M2>	5-3
5.3 ELECTRICAL PARTS LIST	
MAIN BOARD ASSEMBLY <01>	5-6
MONITOR BOARD ASSEMBLY <07>	5-13

DIFFERENT TABLE

The following table indicate main different points between models GR-SXM607EK and GR-SXM55EK.

ITEM \ MODEL	GR-SXM607EK	GR-SXM55EK
BATTERY PACK	BN-V20BU	BN-V11U
DC LIGHT	Used	Not used
LCD MONITOR	3inch	2.5inch
REMOTE CONTROL UNIT	Provided	Optional

The following table indicate different parts number between models GR-SXM607EK and GR-SXM55EK.

PACKING AND ACCESSORY ASSEMBLY <M1>

REF. NO.	ITEM \ MODEL	GR-SXM607EK	GR-SXM55EK
2	CUSHION	* LY32065-001A	LY32065-001B
△ 10	AC ADAPTER	* LY20688-001A	LY20688-001C
△ 11	BATTERY PACK	LY31199-001A	YQ10629E
13	Q.CARD(JUK)	* LYT0194-001A	LYT0194-001B
16	REMOTE CONTROL UNIT	LY42129-001A	-
17	AAA(R03)BATTERY	Used	Not used

FINAL ASSEMBLY <M2>

REF. NO.	ITEM \ MODEL	GR-SXM607EK	GR-SXM55EK
101F	SCREW	* QYSLSF2060D	QYSLSF2050Z
102	COVER(JACK)	* LY31945-001B	LY31945-001C
104	FRONT COVER ASSY	LY20683-014A	LY20683-010D
104E	DC LIGHT/COVER (LIGHT)	LY32040-001A	LY30934-020A
104F	SPACER(A)	LY30029-0B4A	-
104H	CAUTION LABEL	YQ44341-6	-
104J	STICKER(A)	LY32058-002A	LY32058-001A
105	CASS.COVER(M)ASSY	* LY20694-002A	LY20694-002B
106	UPPER CASE(M)	LY10257-001A	LY10257-025B
109	TOP OPE UNIT	LY20614-002B	LY20614-006B
111	REAR UNIT	LY20615-001A	LY20615-004E
115	SCREW	* QYSLSF2060D,X5	QYSLSF2060D,X4
121	SCREW,X3	* QYSLSF2060D	QYSLSF2050Z
130	FRAME ASSY	LY20678-001A	LY20678-002A
130E	CONTACT(LIGHT),X2	YQ43810-1-1	-
130F	E-SI C WIRE C-F	WJM0167-001A	-
136	SCREW/SPECIAL SCREW	* QYSLSF2060D	LY42981-001A

Note: Mark - is not used. Mark * reference model was also changed.

OPTICAL BLOCK SECTION

REF. NO.	ITEM	MODEL	GR-SXM607EK	GR-SXM55EK
254	OPTICAL LPF		LY41370-001A	LY41757-001A
255	CCD SPACER		LY20086-001A	LY20346-001A
257	CCD BASE ASSY		LYH40018-004A	LYH40132-002A

MONITOR ASSEMBLY <M5>

REF. NO.	ITEM	MODEL	GR-SXM607EK	GR-SXM55EK
△ 500	MONITOR ASSY		LYH20217-001A	LYH20217-012A
△ 501	M.COVER ASSY		LY20679-001A	LY20679-002C
501B	WINDOW		LY32022-004A	LY32022-002A
502	M.CASE(3/2.5)ASSY		LY32035-001A	LY32036-001A
515	HOLDER(3/2.5PWB)		LY20647-001A	LY20672-001B
519	BACK LIGHT		QLL0094-001	QLL0093-001
520	LCD MODULE		QLD0118-001	QLD0176-001

MAIN BOARD ASSEMBLY <01>

REF. NO.	ITEM	MODEL	GR-SXM607EK	GR-SXM55EK
PW	MAIN BOARD ASSY		YB10310EV-01	YB10310EQ-04

CCD BOARD ASSEMBLY <02>

REF. NO.	ITEM	MODEL	GR-SXM607EK	GR-SXM55EK
PW	CCD BOARD ASSY		YB20899A-01	YB20899D-01
R5304	MG RESISTOR		NRSA02J-105X	-
C5303	CAPACITOR		NCB21HK-102X	NCB21HK-222X

MONITOR BOARD ASSEMBLY <07>

REF. NO.	ITEM	MODEL	GR-SXM607EK	GR-SXM55EK
PW	MONITOR BOARD ASSY		YB20900A-01	YB20900B-02

Note: Mark – is not used. Mark * reference model was also changed.